

DH-SD22204T-GN-W

2Mp Full HD Network Mini WIFI PTZ Dome Camera



Features

- 4x optical zoom
- H.264 & MJPEG Triple-streams encoding
- Max. 25/30fps@1080P(1920×1080) & 50/60fps@720P resolution
- WDR, Day/Night(ICR), Ultra DNR, Auto iris, Auto focus
- Multiple network monitoring: Web viewer, CMS(DSS/PSS) & DMSS
- Max 100°/s pan speed
- Up to 300 presets, 5 auto scan, 8 tour, 5 pattern
- Support intelligent 3D positioning with DH-SD protocol
- Micro SD memory, POE/ Wifi optional

DH-SD22204T-GN-W

Technical Specifications

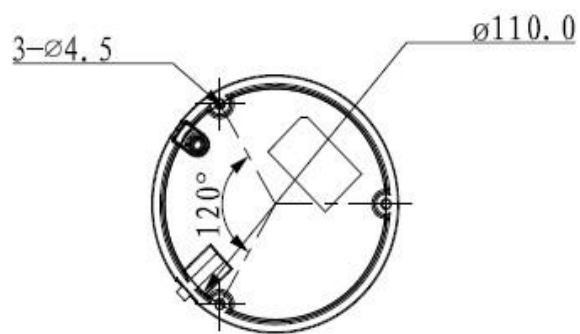
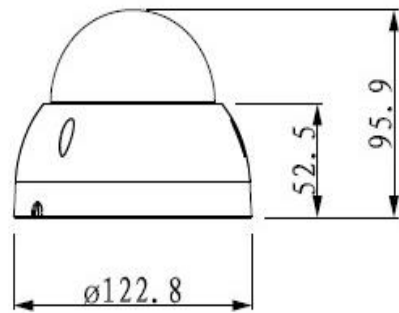
Model	DH-SD22204T-GN-W	
Camera		
Image Sensor	1/2.7" CMOS	
Effective Pixels	1920(H) x 1080(V), 2Megapixels	
Scanning System	Progressive	
Electronic Shutter Speed	1/1 ~ 1/30,000s	
Min. Illumination	Color: 0.05Lux@F1.6; B/W: 0.005Lux@F1.6	
S/N Ratio	More than 50dB	
Camera Features		
Day/Night	Auto(ICR) / Color / B/W	
Backlight Compensation	BLC / HLC / WDR	
White Balance	Auto, ATW, Indoor, Outdoor, Manual	
Gain Control	Auto / Manual	
Noise Reduction	Ultra DNR (2D/3D)	
Privacy Masking	Up to 24 areas	
Digital Zoom	16x	
Lens		
Focal Length	2.7mm~11mm(4x Optical zoom)	
Max Aperture	F1.6~ F2.8	
Focus Control	Auto / Manual	
FOV-H	H: 93.5° ~ 30.24°	
Close Focus Distance	100mm~ 1000mm	
PTZ		
Pan/Tilt Range	Pan: 0° ~ 355°; Tilt: 0° ~ 90°, auto flip 180°	
Manual Control Speed	Pan: 0.1° ~100° /s; Tilt: 0.1° ~60° /s	
Preset Speed	Pan: 100° /s; Tilt: 60° /s	
Preset	300	
PTZ Mode	8 Tour, Auto Scan	
Speed Setup	Human-oriented focal length/ speed adaptation	
Power up Action	Auto restore to previous PTZ and lens status after power failure	
Idle Motion	Activate Preset/ Pan/ Scan/ Tour/ Pattern if there is no command in the specified period	
Video		
Compression	H.264 / MJPEG	
Resolution	1080P(1920×1080)/ 720P(1280×720) / D1(704×576/ 704×480) /CIF (352×288/352×240)	
Frame Rate	Main Stream	1080P/ D1 (1 ~ 25/30fps), 720P(1~50/60fps)
	Sub Stream 1	D1/CIF(1 ~ 25/30fps)
	Sub Stream 2	720P/ D1/ CIF (1 ~ 25/30fps)
Bit Rate	H.264: 448K ~ 8192Kbps, MJPEG: 5120K ~ 10240Kbps	

DH-SD22204T-GN-W

Intelligent Function	
IVS (optional)	Tripwire, Intrusion, Abandoned Object Detection, Missing Object Detection,
Face Detection	Support
Network	
Ethernet	RJ-45 (10/100Base-T)
WIFI	Support
Protocol	IPv4/ IPv6, HTTP, HTTPS, SSL, TCP/IP, UDP, UPnP, ICMP, IGMP, SNMP, RTSP, RTP, SMTP, NTP, DHCP, DNS, PPPOE, DDNS, FTP, IP Filter, QoS, Bonjour, 802.1x
ONVIF	ONVIF Profile S
Max. User Access	20 users
Smart Phone	iPhone, iPad, Android, Windows Phone
Auxiliary Interface	
Memory Slot	Micro SD, Max 128GB
General	
Power Supply	DC12V, POE
Power Consumption	10W
Working Environment	-30°C ~ 60°C / Less than 90% RH
Ingress Protection	IP66 & IK10
Dimensions	Φ122 (mm) x 89 (mm)
Weight	0.6kg

DH-SD22204T-GN-W

Dimensions



Dahua Technology Co., Ltd.

1199 BinAn Road, Binjiang District, Hangzhou, China

Tel: +86-571-87688883

Fax: +86-571-87688815

Email: overseas@dahuatech.com

www.dahuasecurity.com

*Design and specifications are subject to change without notice.

© 2014 Dahua Technology