

PBOX Range Power Supplies



The PBOX range of power supplies offer a versatile one-box power solution.

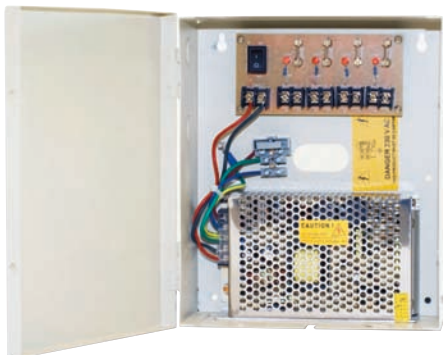
The PBOX is a multi-way power supply unit which lowers the risk of power failure to a set of cameras by using individually fused outputs, so if one output fails, the remaining cameras stay on.

Each output has an individual glass-protected fuse with a useful LED indicator to show if the fuse has blown. The power outputs are housed in a robust metal housing and are a smart, compact solution for any installation requiring a central power supply.

The PBOX has a cable outlet at the base of the box to provide neat wiring.

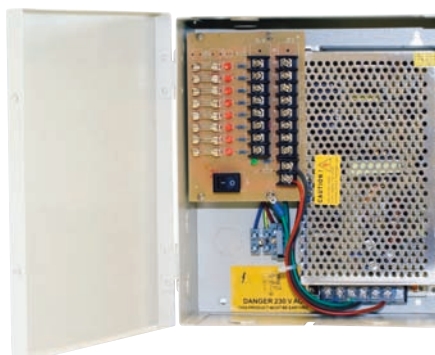
Each PBOX has a master power switch to shutdown power to all channels.

Available in 4, 8 & 16 output models, the PBOX range provides a suitable power supply solution for a range of applications.



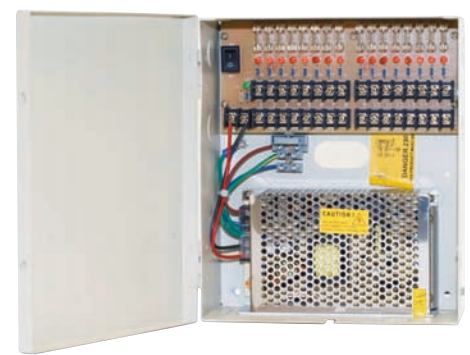
PBOX12/4/2.5

- CE Listed
- Input 230VAC
- 12VDC@10Amp supply current
- Multiple outputs (4 channel)
- Four glass fuse protected output
- Power on/off switch
- DC regulated, over current and voltage protected
- Individual LED indicator for each output
- Dimensions:250mm×213mm×95mm



PBOX12/8/1.5

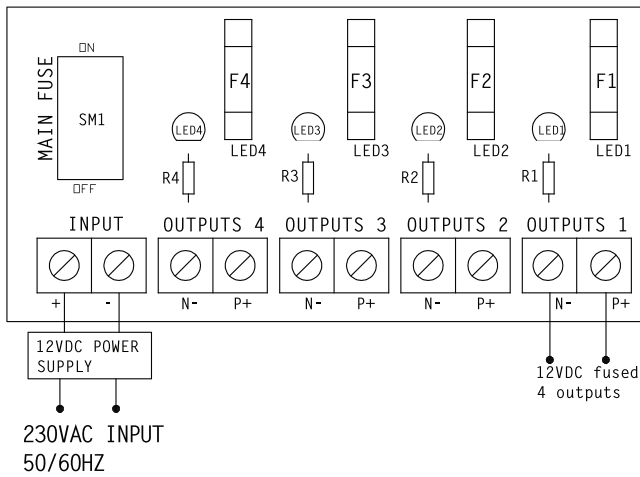
- CE Listed
- Input 230VAC
- 12VDC@13Amp supply current
- Multiple outputs (8 channel)
- Eight glass fuse protected output
- Power on/off switch
- DC regulated, over current and voltage protected
- Individual LED indicator for each output
- Dimensions:250mm×213mm×95mm



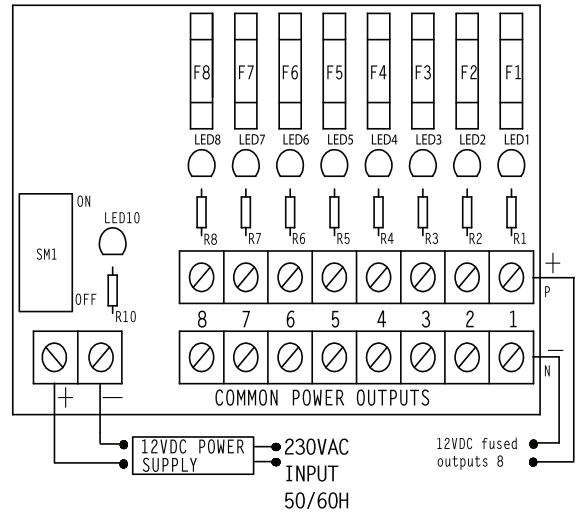
PBOX12/16/0.5

- CE Listed
- Input 230VAC
- 12VDC@10Amp supply current
- Multiple outputs (16 channel)
- Sixteen glass fuse protected output
- Power on/off switch
- DC regulated, over current and voltage protected
- Individual LED indicator for each output
- Dimensions:250mm×213mm×95mm

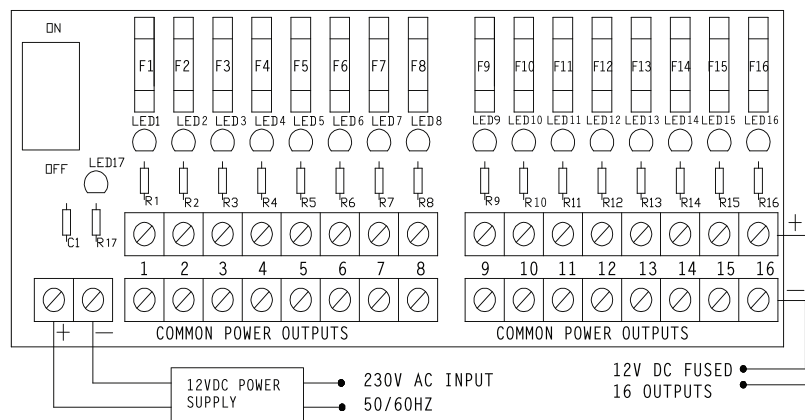
PBOX12/4/2.5



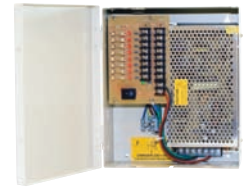
PBOX12/8/1.5



PBOX12/16/05



PBOX Specification



	PBOX12/16/05	PBOX12/4/2.5	PBOX12/8/1.5
Input Voltage		230VAC	
Outputs	16 x 12VDC	4 x 12VDC	8 x 12VDC
Maximum Supply Current	12VDC@10A	12VDC@10A	12VDC@13A
Maximum Output / Channel	0.5A	2.5A	1.5A
Regulated	DC Regulated, over current and voltage protected		
Master Power Switch	Yes		
Individual LED Fuse Indicators	Yes		
Dimensions	250 x 213 x 95mm		
CE & RoHS Compliant	Yes		